

## AVID PS793 PNEUMATIC ROTARY VALVE POSITIONER

A force balance pneumatic positioner for quarter turn rotary actuators. Designed for direct mounting to all NAMUR and pneumatic actuators

Valves & Controls



### FEATURES

- Compact design – mounted directly and axially to the actuator stem by means of standard kit
- Updated design provides improved features while maintaining original dimensions cam profile and product calibration
- Captive fixings used throughout to prevent loss on site
- High visibility, graduated local visual indicator disc allows easy on-site monitoring
- Conduit boss is integral to enclosure wall providing greater strength and reduced footprint
- Indicator gives visual position of the final control element
- Stable positioning characteristics provided for both small and large actuators
- Action (direct or reverse) is easily reversed in the field by turning cam and reversing air connection
- Usable for double-acting or single-acting service
- Unaffected by normal supply pressure fluctuations
- Integral electric limit switches option.
- Optional adapter and bracket kit for NAMUR actuators (bracket kit sold separately)

### GENERAL APPLICATION

The PS793 is a pneumatic positioner based on the force balanced principle, designed for the proportional operation of quarter turn rotary actuators. It is generally coupled to the shaft of the actuator with a local visual indicator allowing easy on-site monitoring.

### TECHNICAL DATA

#### Agency approvals

Enclosure standards (IEC) IP66

#### Switches (optional)

SPDT mechanical switches  
Proximity type sensor (inductive)

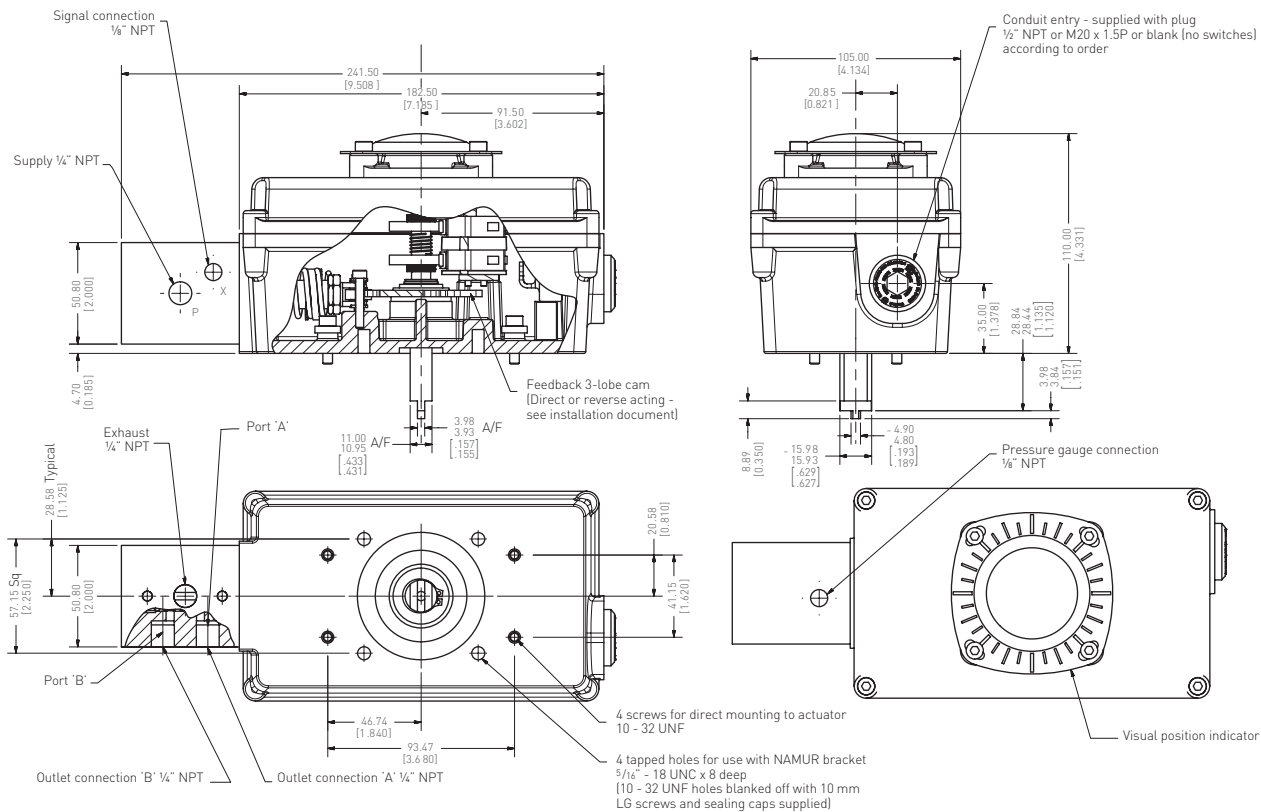
#### Enclosure

Anodized aluminum



# AVID PS793 PNEUMATIC ROTARY VALVE POSITIONER

## DIMENSIONS



Dimensions in mm, imperial dimensions (inches) in parenthesis

## CONNECTIONS AND MOUNTING

Designation of connections

- A and B - Working lines
- P - Compressed air connection
- T - Exhaust point
- X - Control line

Conduit entry	1/2" NPT or M20 (Blank with no switches)
Port connections	1/4"
Mounting	Any position/orientation, no limits Direct mounting to actuators Namur mounting bracket available

# AVID PS793 PNEUMATIC ROTARY VALVE POSITIONER

## SPECIFICATIONS

---

### GENERAL SPECIFICATIONS

Input signal	
Single range	3 to 15 psi [0.2 - 1.0 bar] standard
Cam characteristics	Linear
3-Lobe cam	Curve 1, range: 3 - 15 psi = 90° movement Curve 2, range: 3 - 9 psi or 9 - 15 psi = 65° movement Curve 3, range: 3 - 15 psi = 65° movement
Supply	
Media	Compressed air or gas, dry, dust and oil free with 5 micron filter element to inlet
Supply pressure	30 - 100 psi [2 - 8 bar]
Air consumption	0.6 cfm in balanced condition with 60 psi [4 bar] supply
Environmental	
Environmental temperature	-5° to +160°F [-20° to +70°C]
Materials of construction	
Housing	Anodized aluminum alloy
Diaphragm	Nitrile rubber
Valve spool	Stainless steel
Cover	Anodized aluminum alloy
Weight	5 lb. [2.27 kg]
Options	
Gauges	Instrument air 0 - 30 psi [0 - 2 bar] - 1 off Supply air 0 - 150 psi [0 - 8 bar] - 2 off
Integral limit switches	Single pole double throw 10 A 240 V AC

# AVID PS793 PNEUMATIC ROTARY VALVE POSITIONER

## ORDERING INFORMATION

### SELECTION GUIDE

<b>Base Model</b>											
PS-	Pneumatic positioner										
	<b>Application</b>										
	0	Standard flow									
		<b>Conduit options</b>									
		0	No conduit entry								
		1	1 x 1/2" NPT								
		2	1 x M20								
		3	1 x PG 13.5								
			<b>Number of switches</b>								
			0	0 switches							
			2	2 switches							
				<b>Switch options</b>							
				00	No switches						
				01	V3 SPDT mechanical switches						
				03	P&F NJ2-V3-N						
				<b>Terminal Strip</b>							
				0	No terminal strip						
				B	8 pt standard						
				<b>Bracket type (mounting style)</b>							
				D	Direct mount metric fixings						
				I	Direct mount imperial fixings						
				<b>Pneumatic connections</b>							
				0B	BSP						
				0N	NPT						
				<b>Special features</b>							
				00	No special features						
				<b>Certification</b>							
				0	Non-hazardous						
				<b>Revision</b>							
				R*	Revision number						
PS-	0	2	2	01	B	D	0B	-00	-0	R1	= Model Number <b>PS-02201BD0B-00-0R2</b>

### NOTES

1. Please contact your sales office for guidance on selecting the best possible combination for your control and monitoring requirements.

Westlock Controls

280 N. Midland Avenue,

Ste 258

Saddle Brook, NJ 07663

United States

Crane Co., and its subsidiaries cannot accept responsibility for possible errors in catalogues, brochures, other printed materials, and website information. Crane

Co. reserves the right to alter its products without notice, including products already on order provided that such alteration can be made without changes being

necessary in specifications already agreed. All trademarks in this material are the property of the Crane Co. or its subsidiaries. The Crane and Crane brands logotype,

in alphabetical order, (ALOYCO®, CENTER LINE®, COMPAC-NOZ®, CRANE®, DEPA®, DUO-CHEK®, ELRO®, FLOWSEAL®, JENKINS®, KROMBACH®, NOZ-CHEK®, PACIFIC

VALVES®, RESISTOFLEX®, REVO®, SAUNDERS®, STOCKHAM®, TRIANGLE®, UNI-CHEK®, WTA®, and XOMOX®) are registered trademarks of Crane Co. All rights reserved.