

# CRANE®

# NEWS!

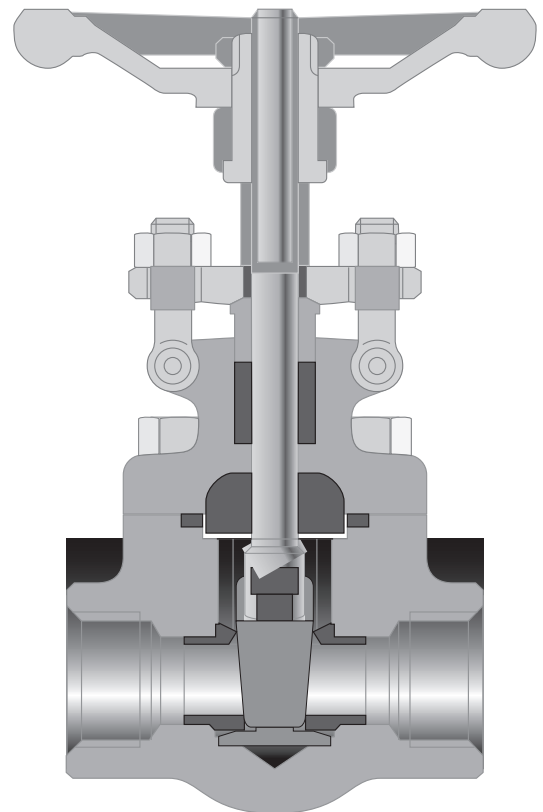
**CRANE® Forged Steel Valves  
Trusted Part of Crane Industrial  
Gate/Globe/Check Product Family!**

[www.cranecpe.com](http://www.cranecpe.com)

## Globe, Gate, Check Forged Steel Valves

CRANE Forged Steel Class 800 and Class 1500 Gate, Globe, and Check Valves are Tested and Ideal for General Industrial, Oil and Gas, Power, and Commercial Applications.

- 1 Materials and Sizes:**  
A105N Forged Steel in 1/4"-2" sizes.
- 2 Temperature and Pressure:**  
Class 800 (1975psig @ 100 Degrees F)  
Class 1500 (3705psig @ 100 Degrees F)
- 3 Certification:**  
API 602, API 598, ASME B16.34, BS 5352



# CRANE®

[cranecpe.com](http://cranecpe.com)